

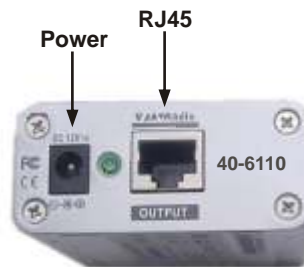


40-6110, 40-6110R

ACTIVE BALUNS FOR HDTV
COMPONENT OR PC VGA VIDEO,
ANALOG OR DIGITAL AUDIO
OVER 1 CAT5



Units Sold Separately



Transmitter
40-6110



Receiver
40-6110R

HDTV Product Specifications:

DC Power 12Vdc 300ma
Max Input Video Level 1.5V p-p
High Slew Rate 2000V/us
Video Bandwidth 250 MHZ
Audio Bandwidth 20-20Khz, +/- 1 db
Video Resolutions
PC: VGA, XGA, SXGA,
HDTV: 1080P, 1080I, 720P, 480P
Size: L-2.75" x W-2.6" x H-1"
Connectors: RJ45, 3.5mm, HD-DB15
Female Jacks
Includes: 1ft - 3.5mm Male to dual stereo
RCA adapter cable, 1ft. - HD-DB15 Male
to RCA Component Y, Pb, Pr male
adapter cable

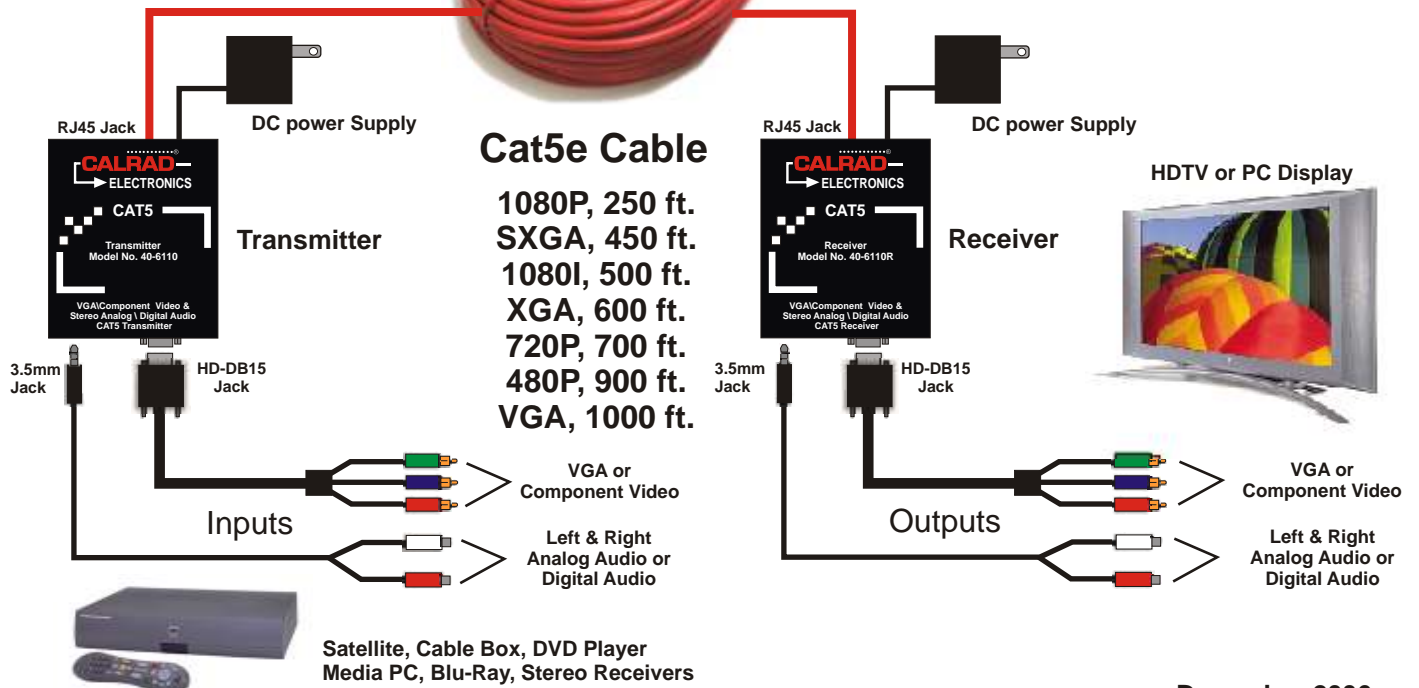
'Differential Technology
Breaks Grounds from
Transmitter to Receiver'



No More Ground
Lift Adapters



No More 60 Hz Bars or
Interference Lines
In your pictures



CALRAD
ELECTRONICS

819 N. Highland Ave.
Los Angeles, CA 90036

Tel. (323) 465-2131, Fax (323) 465-3504
Visit us on the web at www.calrad.com



40-6210, 40-6210R

2 OUTPUT SPLITTER & LOOP-OUT RECEIVER
ACTIVE BALUNS FOR HDTV
COMPONENT OR PC VGA VIDEO,
ANALOG OR DIGITAL AUDIO
OVER 1 CAT5



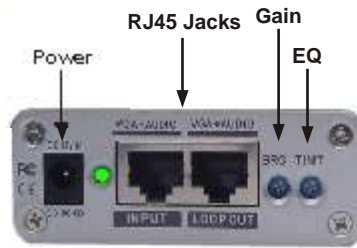
Units Sold Separately

HDTV Product Specifications:

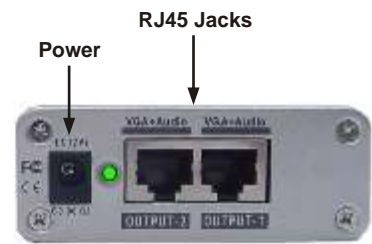
DC Power 12Vdc 300ma
Max Input Video Level 1.5V p-p
High Slew Rate 2000V/us
Video Bandwidth 250 MHZ
Audio Bandwidth 20-20Khz, +/- 1 db
Video Resolutions
PC: VGA, XGA, SXGA,
HDTV: 1080P, 1080i, 720P, 480P
Size: L-2.75" x W-2.6" x H-1"
Connectors: RJ45, 3.5mm, HD-DB15
Female Jacks
Includes: 1ft - 3.5mm Male to dual stereo
RCA Male adapter cable, 1ft. - HD-DB15
Male to RCA Component Y, Pb, Pr male
adapter cable

Please note:

These Balun units may not work with some Plug N Play Lap-Top devices a special inline VGA adapter is available to properly activate the external video graphics port, Calrad Part No. 35-735



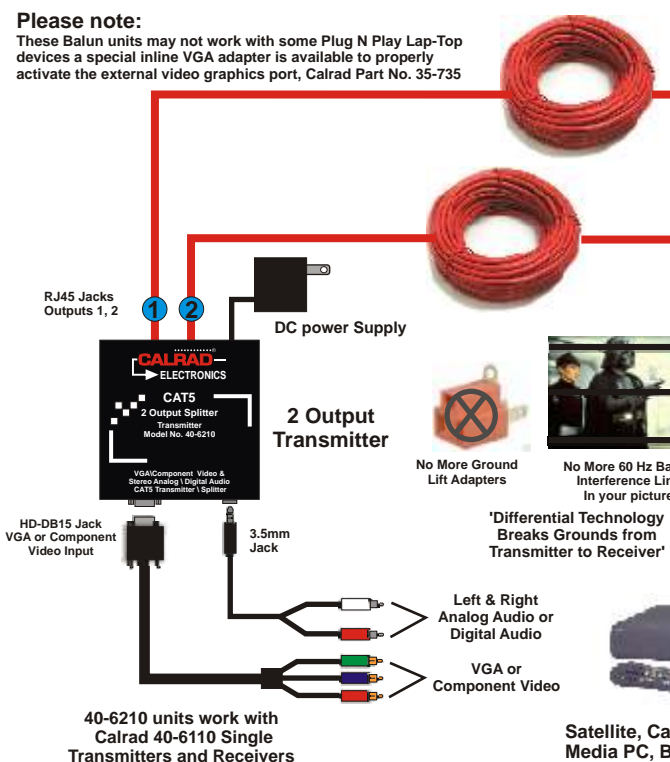
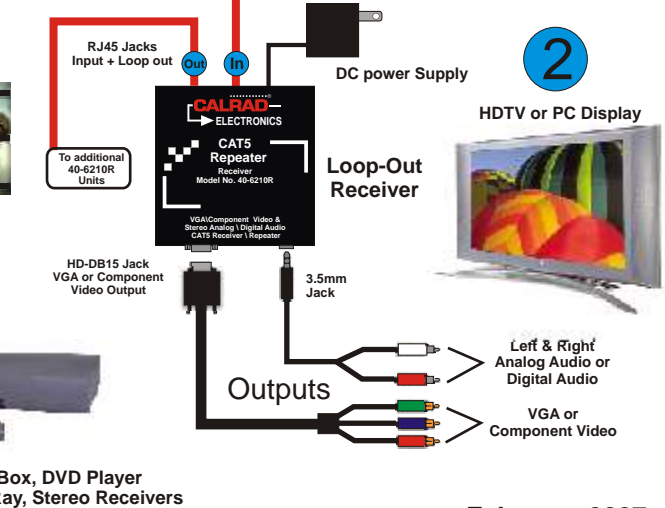
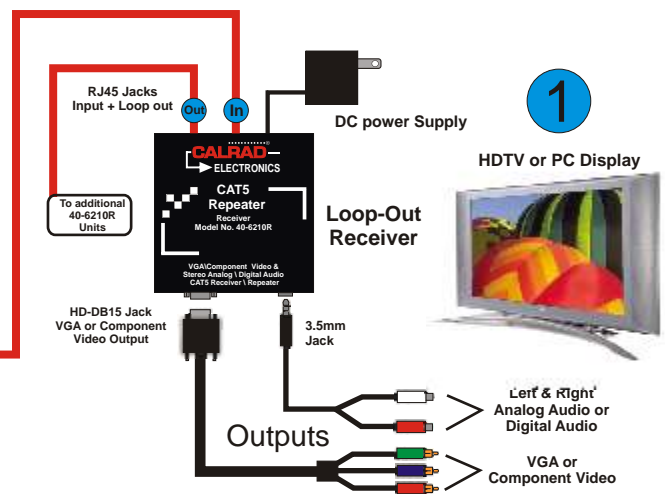
Loop Out Receiver
40-6210R



2 Output Transmitter
40-6210

Cat5e Cable

1080P, 250 ft.
SXGA, 450 ft.
1080i, 500 ft.
XGA, 600 ft.
720P, 700 ft.
480P, 900 ft.
VGA, 1000 ft.



No More Ground Lift Adapters
No More 60 Hz Bars or Interference Lines in your pictures
'Differential Technology Breaks Grounds from Transmitter to Receiver'

Satellite, Cable Box, DVD Player
Media PC, Blu-Ray, Stereo Receivers

40-6210 units work with
Calrad 40-6110 Single
Transmitters and Receivers

CALRAD
ELECTRONICS

819 N. Highland Ave.
Los Angeles, CA 90038

Tel (323) 465-2131, Fax (323) 465-3504
Visit us on the web at www.calrad.com

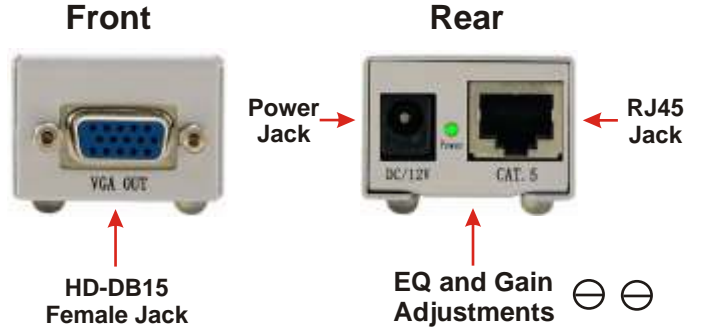
40-1010
VGA over Cat5 up to 580 ft.



Sold in pairs (40-1010R, 40-1010T)



Dc Power Supply



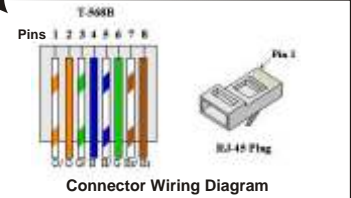
The 40-1010 converts VGA signals to balanced twisted pair. Up to 580 feet is possible over Cat5e cable, using one of each 40-1010T (Transmitter), 40-1010R (Receiver). Equalization length and VGA signal gain are adjustable on the bottom side of the 40-1010R (Receiver). Each unit requires a DC power supply, (included).



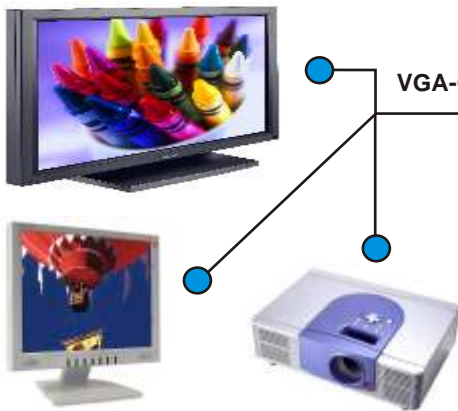
VGA-Input



Transmitter



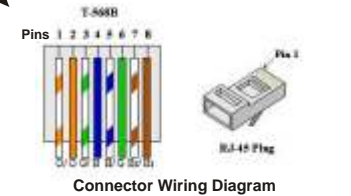
580 Ft. Cat5e →



VGA-Output



Receiver



Specifications:

- Cable Distance: 580 ft. (max)
- VGA Out/In Connectors: HD-15 Female, 1 jack each unit
- RJ45 Connectors: 1 Jack, each unit
- VGA Resolution: 1280x1024 60Hz
- DC Power Supply: 2 x 12V, 600mA (Min.)
- Housing: Metal
- Weight: 140g
- Dimensions: Length: 3.67" \ 92mm, Width: 1.43" \ 34mm, Height: .977" \ 22mm