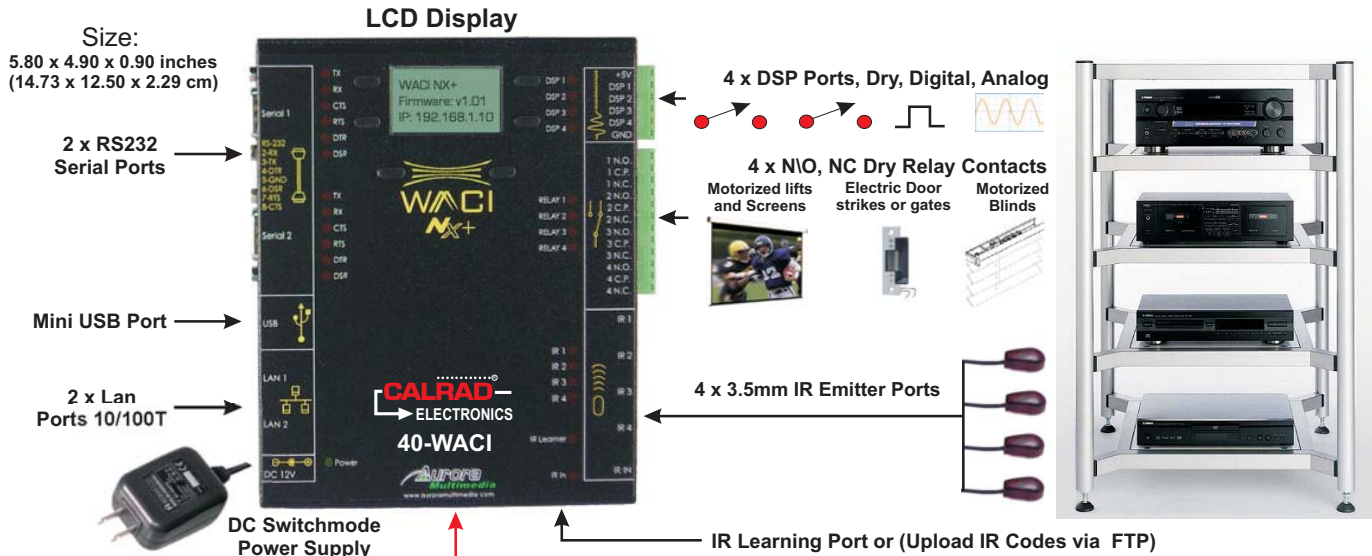




819 N. Highland Ave.  
Los Angeles, CA 90038

Tel: (323) 465-2131, Fax: (323)-465-3504  
Visit us on the web at [www.calrad.com](http://www.calrad.com)

## Part No: 40-WACI IP Based Server \ Controller



### Key Features & Benefits

- Up to 1 BIPS (billion instructions per second) of 32-Bit processing power
- Fast 32 bit wide 66MHz WACI NX expansion bus
- Type 2 Compact Flash expansion port
- Two 10/100 Auto-MDX LAN Ports
- Built-in LCD display for setup and diagnostics with 6 button menu navigation
- 32MB of 32 bit wide flash memory expandable to over 2GB
- 64MB of DDR memory
- Ciphers co-processor for up to 256 bit SSL/VPN/AES, etc.
- Two RS-232/422/485 Serial Ports
- Four SPDT Relays max. 1.2A/24Vdc
- Four programmable DSP ports for A/D, D/A, I/O, and Audio
- Four IR/Serial-TX transmit ports
- One IR Input Port with Aurora's Exclusive IRM Technology™
- IR Learner/Receiver Port
- USB 1.1 On-The-Go Port
- Real Time Clock with Battery Backup
- Non Proprietary Programming, Non Platform Specific Operation
- Network Accessible Internal Diagnostics with Built-in Advanced Event Manager
- This device is compatible with the Windows® operating system, Mac OS® X operating system, Linux® operating system, Unix® operating system, Windows® CE operating system, Palm OS®, and Web-enabled

No other control system on the market offers this combination of features in a compact, cost effective package

- The power to run a wide range of applications for content delivery or redundant storage
- Greater expandability offers more flexibility (including secure wireless connectivity)
- Each WACI unit contains its own resources that can be increased by expanding the WACI system (similar to other systems on the market, sharing resources can cause slowdowns and bottlenecks)
- Play, record, and store audio files for network or CF retrieval and playback
- Integrates with the entire WACI control system series (including the WACI NX expansion bus add-on packs and IPF network expansion modules)
- The WACI NX expansion bus allows hard disk storage, battery backup features, streaming audio/video, and additional ports
- The optional NX-POE internal module allows Power Over Ethernet operation
- True platform independent operation – a wide range of OS compatibility (including with multiple OS simultaneous access across a common network)
- Programming is as easy as writing web pages with off-the-shelf content creation applications such as Macromedia Flash™, HTML, DHTML, SOAP, XML, CGI, RPC, and Visual Basic®
- This device is compatible with Microsoft® Internet Explorer 5.0 or higher, Netscape Navigator®, Mozilla Firefox™, and Apple® Safari™ web browsers
- Pre-configure and test equipment control or monitor connectivity using the built-in diagnostics and advanced event manager before writing any code
- Server side operation means that no dedicated server is required and that no special applications need to be installed on your PC to access the WACI control system
- Built-in network security features (including encryption and password protected multiple access levels with intelligent remote telnet capabilities)

### WACI=Web Access Control Interface

The WACI NX+™ is the world's most powerful non-proprietary IP control system. WACI is accessed through any web browser running on a wired or wireless Ethernet network and requires no special software; WACI is set up using web-authoring tools. Numerous RS232/422/485, IR, relay and DSP control ports are available, and a robust IR learner is standard. WACI is also expandable using WACI NX Expansion modules for additional ports, video streaming, battery backup, power-over-Ethernet, and hard drive storage.

### Control any product by IP based systems



For more Details visit [waciworld.com](http://waciworld.com)  
or Call Calrad at 323-465-2131

All specifications subject to change without notice, Calrad 2005