



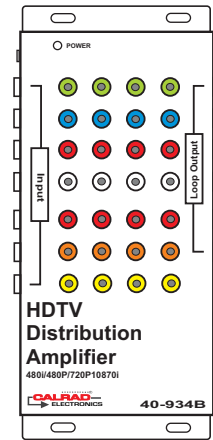
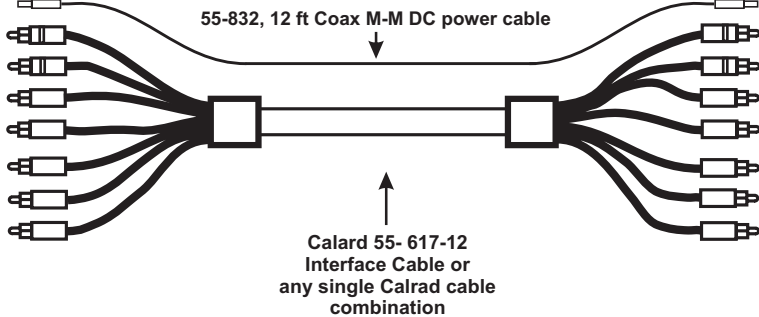
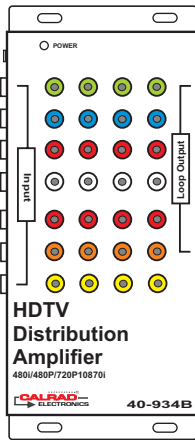
819 N. Highland Ave.
Los Angeles, CA 90038

Members of



Tel: (323) 465-2131, Fax: (323) 465-3504
Visit us on the web at www.calrad.com

New Product Release 40-934B 1 x 5 Cascading HDTV Distribution Amplifier



Video:
Component \ RGB Bandwidth >440 Mhz
Component \ RGB cascade Input to output unity-gain, X4 Outputs +3db
Component Video formats (YPrPb): 480i, 480P, 720p, 1080i
Component Video cascade output unity-gain, 1 volt pp, terminated to 75 ohms
RGB + HV Video: resolutions up to 1280 H x 1024 V
Composite Video Bandwidth 10Mhz, 1Vpp
Component Video \ RGB input termination 75 ohms
Composite Video input termination 75 Ohms

Analog Audio:
Input Impedance 47K
Frequency Response: 20hz - 60Khz
Cascade Input to output unity-gain, X4 Outputs unity gain

Digital Audio:
Input Impedance 75 Ohms
PCM, SPDIF 44.1, 48Khz
Cascade Input to output unity-gain, X4 Outputs +3db

Power:
Input power: External Dc Power Supply 12Vdc 1.2 A, 2.1mm Coax plug, (Included)
(cascadeable power up to 5 units using a single power supply.
Current Consumption 150 ma

Mechanical:
Audio, Video Input \ Output jacks RCA, gold plated female type
DC Power Input \ Output jacks 2.1 coax, female type
Chassis Size: W- 5.7" x H- 9.0" x D-1.1", Weight: 3.5lbs.
Enclosure type: Metal, Chassis Color: Black
Side panel On/Off ground isolation switch

Features:

Calrad's 40-934B State of the Art distribution amplifier delivers signals for High Definition and Standard definition Analog Audio and Video formats as well as digital audio. Precise components and circuit design provide signal delivery up to 10 units cascaded using high quality, low loss Calrad cable or equivalent cable used for the proper delivery of HDTV signals for distances up to several hundred ft. Drives Plasma, LCD, DLP and Computer monitors for multiple display applications. The 40-934B has the ability to distribute 3 different video formats (Component Video, Pr,Pb,Y), (RGB+HV), (Composite Video) providing the flexibility to work in any consumer analog video signal environment. High frequency, fast slew rate op-amps using Calrad's unique 75 ohm termination circuitry provides low noise and distortion free video without any appreciable signal degradation. High quality connectors for repeat removal and insertion of cables, will provide many years of trouble free operation. The 40-934B unit may be used free standing or mounted horizontally, or vertically on a wall using the 4 slotted chassis mounting holes. Front panel L.E.D power on indicator. Special power ground loop isolation circuitry with on/off switch