

CALRAD[®] ELECTRONICS

819 N. Highland Ave.
Los Angeles, CA 90036

Tel. (323) 465-2131, Fax (323) 465-3504
Visit us on the web at www.calrad.com



40-6210, 40-6210R

2 OUTPUT SPLITTER & LOOP-OUT RECEIVER
ACTIVE BALUNS FOR HDTV
COMPONENT OR PC VGA VIDEO,
ANALOG OR DIGITAL AUDIO
OVER 1 CAT5



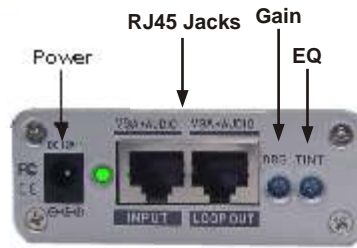
Units Sold Separately

HDTV Product Specifications:

DC Power 12Vdc 300ma
Max Input Video Level 1.5V p-p
High Slew Rate 2000V/us
Video Bandwidth 250 MHZ
Audio Bandwidth 20-20Khz, +/- 1 db
Video Resolutions
PC: VGA, XGA, SXGA,
HDTV: 1080P, 1080i, 720P, 480P
Size: L-2.75" x W-2.6" x H-1"
Connectors: RJ45, 3.5mm, HD-DB15
Female Jacks
Includes: 1ft - 3.5mm Male to dual stereo
RCA Male adapter cable, 1ft. - HD-DB15
Male to RCA Component Y, Pb, Pr male
adapter cable

Please note:

These Balun units may not work with some Plug N Play Lap-Top devices a special inline VGA adapter is available to properly activate the external video graphics port, Calrad Part No. 35-735



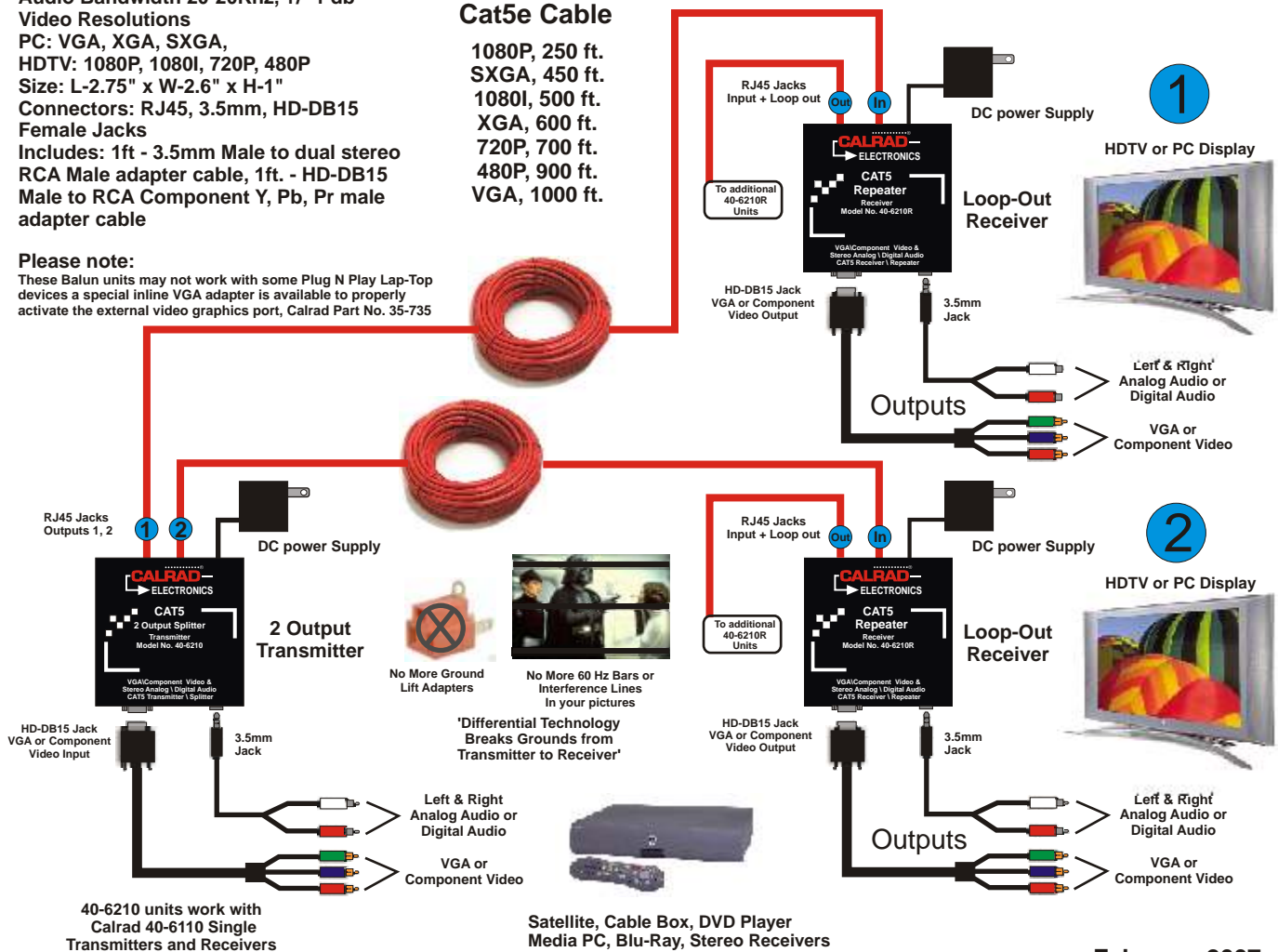
Loop Out Receiver
40-6210R



2 Output Transmitter
40-6210

Cat5e Cable

1080P, 250 ft.
SXGA, 450 ft.
1080i, 500 ft.
XGA, 600 ft.
720P, 700 ft.
480P, 900 ft.
VGA, 1000 ft.



40-6210 units work with
Calrad 40-6110 Single
Transmitters and Receivers

Satellite, Cable Box, DVD Player
Media PC, Blu-Ray, Stereo Receivers

February 2007