

CALRAD[®] ELECTRONICS

819 N. Highland Ave.
Los Angeles, CA 90038

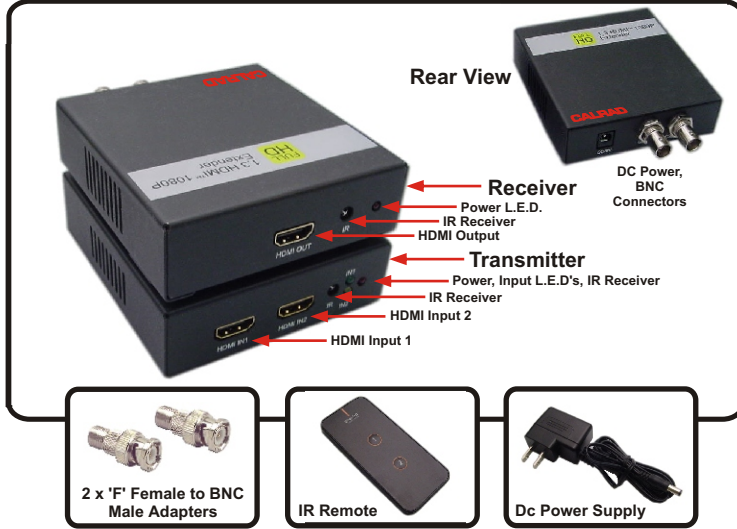
New 2010

Tel (323) 465-2131, Fax (323) 465-3504
Visit us on the web at www.calrad.com

40-1096

HDMI \ DVI Ver 1.3b, 1080P HD Over A Single Coax Cable

Calrad's new HDMI over Coax Extender provides HDMI 1080P signal delivery over a single RG59 or RG6 coaxial cable as the transmission medium. The technology enables HDMI installation to be connected over long distances. Full High-Resolution HDTV signals are supported up to a resolution of 1080P at a maximum distance of 328 ft, see the cable distance table below. The built-in circuitry automatically compensates for different cable lengths and adjusts signal gain and equalization so no adjustments are required by the user. There is an IR receiver in the transmitter and receiver so the remote control can work locally and remotely to switch between HDMI input 1 and input 2. Transmitters and receivers can be cascaded to easily expand the HDMI delivery system. See example 1A. for cascading of transmitters and receivers. Two 'F' to BNC adapters are included for easy termination to existing coaxial cables.



Up to 1080P Video Output Displays

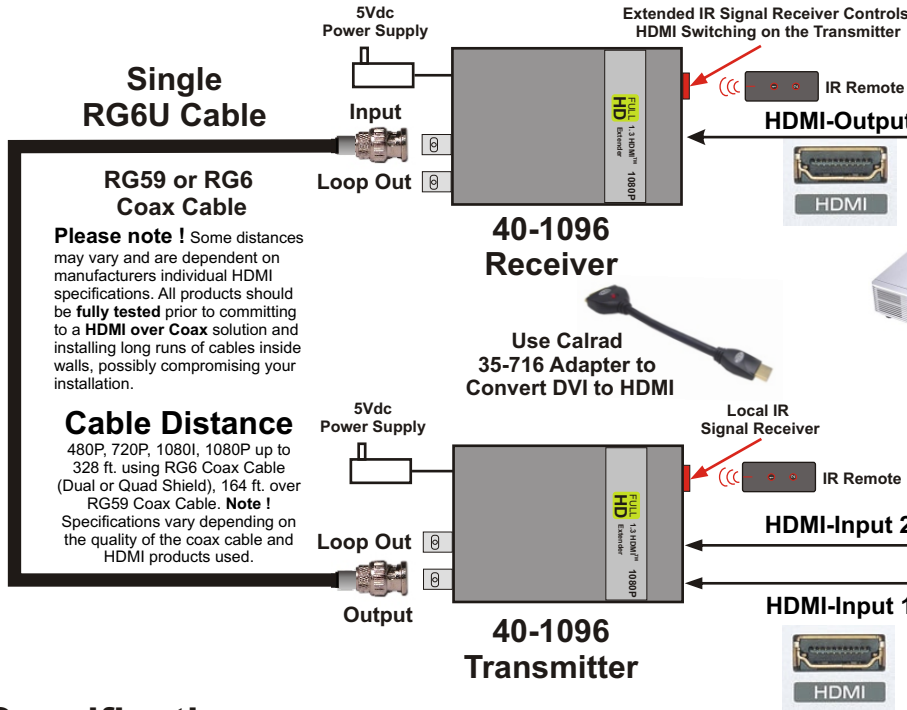


Sources

Satellite



HD-DVD, Bluray



Please note ! Some distances may vary and are dependent on manufacturers individual HDMI specifications. All products should be **fully tested** prior to committing to a **HDMI over Coax** solution and installing long runs of cables inside walls, possibly compromising your installation.

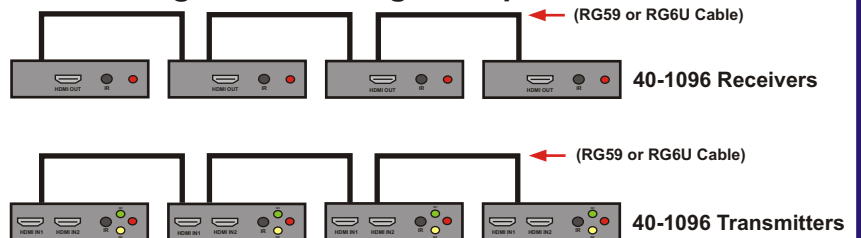
Cable Distance

480P, 720P, 1080i, 1080P up to 328 ft. using RG6 Coax Cable (Dual or Quad Shield), 164 ft. over RG59 Coax Cable. **Note !** Specifications vary depending on the quality of the coax cable and HDMI products used.

Specifications:

- * Video Amplifier Speed: 10.2 Gbps (HDMI 1.3b)
- * Video Amplifier Bandwidth: 340MHz
- * Video Bandwidth, 480i, 480P, 720P, 1080i, 1080P
- * Up to 36bit Color Depth
- * Input Video Signal: 1.2 Volts p-p
- * Input DDC Signal: 5 Volts p-p (TTL)
- * Connector type I: HDMI Type A 19-Pin Female
- * Connector type II: BNC Female Type
- * Power Supply: 2 x DC5V/2A
- * Dimensions: 3.625" W x 1.25" H x 4.5" D
- * Chassis Color: Dark Gray
- * Weight: 0.6lbs.

Series Signal Cascading Example 1A.



DOC-6302010-WB