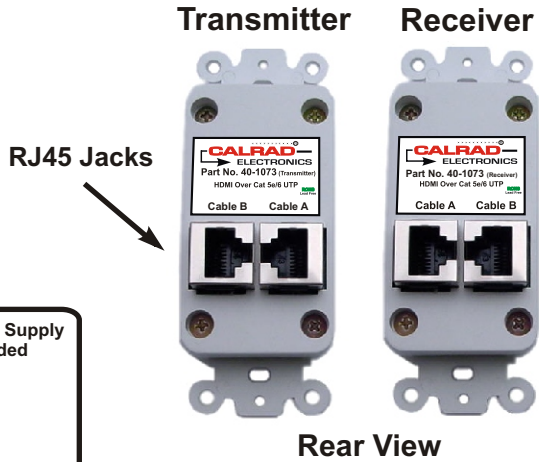
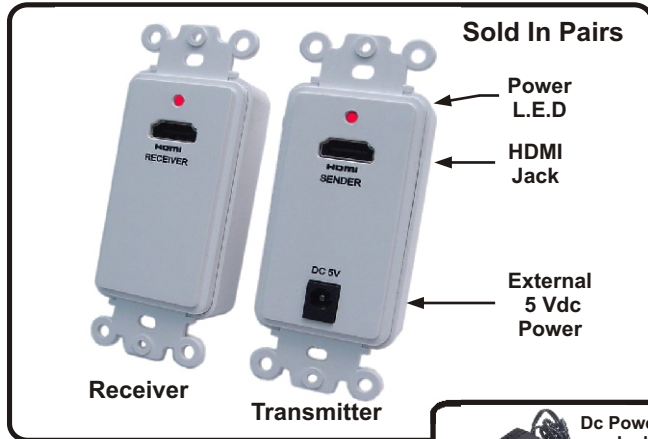


CALRAD
ELECTRONICS

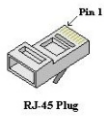
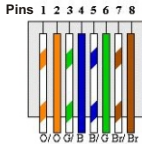
819 N. Highland Ave.
Los Angeles, CA 90038

Tel (323) 465-2131, Fax (323) 465-3504
Visit us on the web at www.calrad.com

Part No. 40-1073
Active Designer Style Wallplate Balun,
HDMI over 2 Cat5e/Cat6 Cables

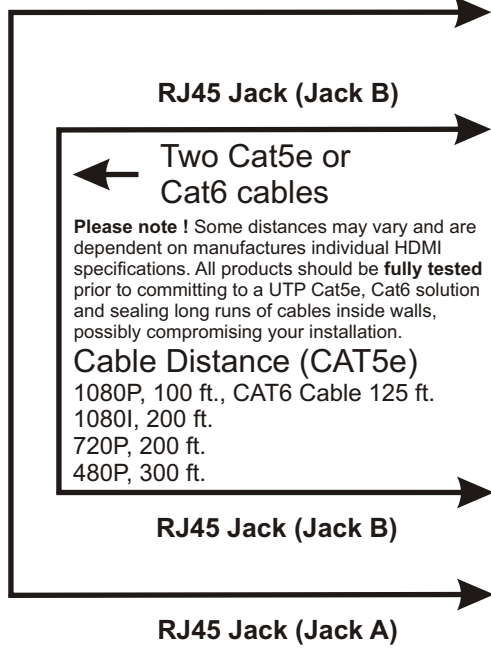


568B Wire Start to Finish 568B



Connector Wiring Diagram

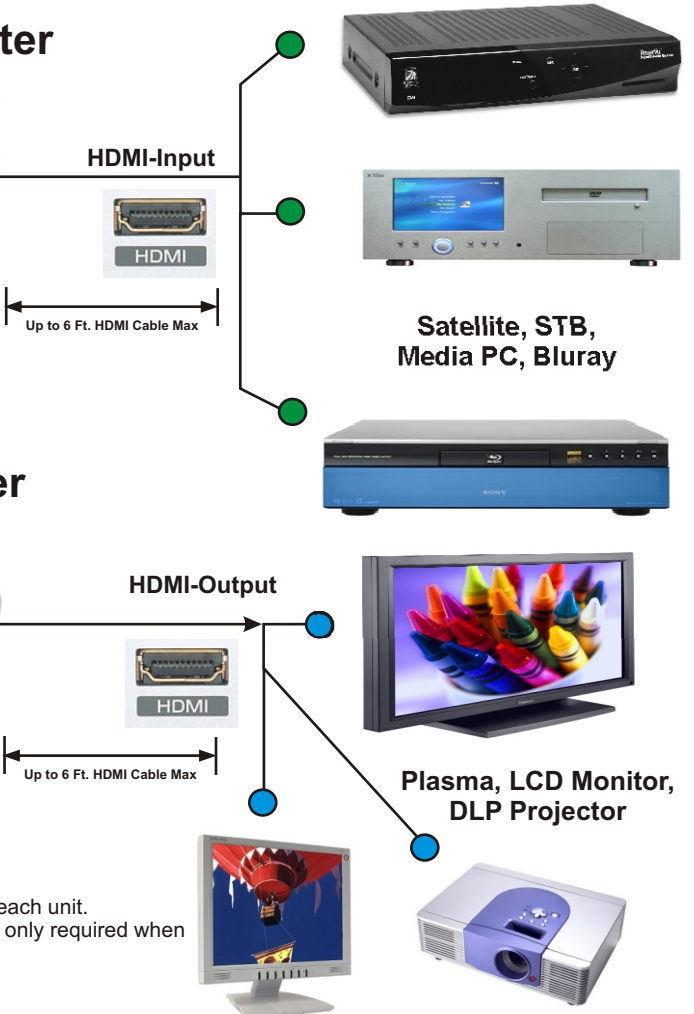
Transmitter



Please note ! Some distances may vary and are dependent on manufactures individual HDMI specifications. All products should be **fully tested** prior to committing to a UTP Cat5e, Cat6 solution and sealing long runs of cables inside walls, possibly compromising your installation.

Cable Distance (CAT5e)
1080P, 100 ft., CAT6 Cable 125 ft.
1080I, 200 ft.
720P, 200 ft.
480P, 300 ft.

Receiver



Specifications:

HDTV Resolutions: 480P, 720P, 1080I, 1080P (Max 10.2Gbps, HDMI 1.3)
Input TMDS Signal: 5Vpp, Input DDC 5Vpp
HDMI In/Out Connectors: 19 pin Female Jacks, 2 x RJ45 Shielded Jacks each unit.
DC Power Supply: 5V, 1A, Switchmode Regulated, 110-220Vac (Optional, only required when there is no power from the receiver side HDMI connector)
Housing: Plastic, White Color
Weight: 200g ea.
Dimensions: Transmitter / Receiver: L-2.91" x W-1.59" x D-1.25"