

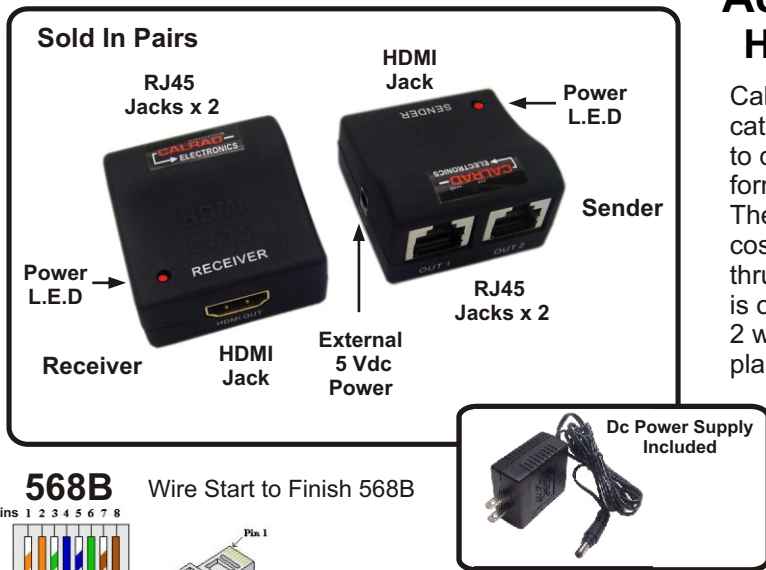
CALRAD[®] ELECTRONICS

819 N. Highland Ave.
Los Angeles, CA 90038

Tel (323) 465-2131, Fax (323) 465-3504
Visit us on the web at www.calrad.com

Part No. 40-1072 Active HDMI Miniature Baluns, HDMI over 2 Cat5e/Cat6 Cables

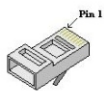
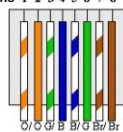
Calrads small and innovative HDMI over UTP category 5e, 6 cable solution is specifically designed to deliver pristine digital signals from all HDTV formats and signal sources from 480P to 1080P. These devices are a perfect solution for replacing costly standard HDMI cables that are difficult to route thru walls and cabinets. A small class 2 power supply is only required at the sender side providing a simple 2 wire termination for the receiver to feed all types of plasma, LCD and projection displays.



568B

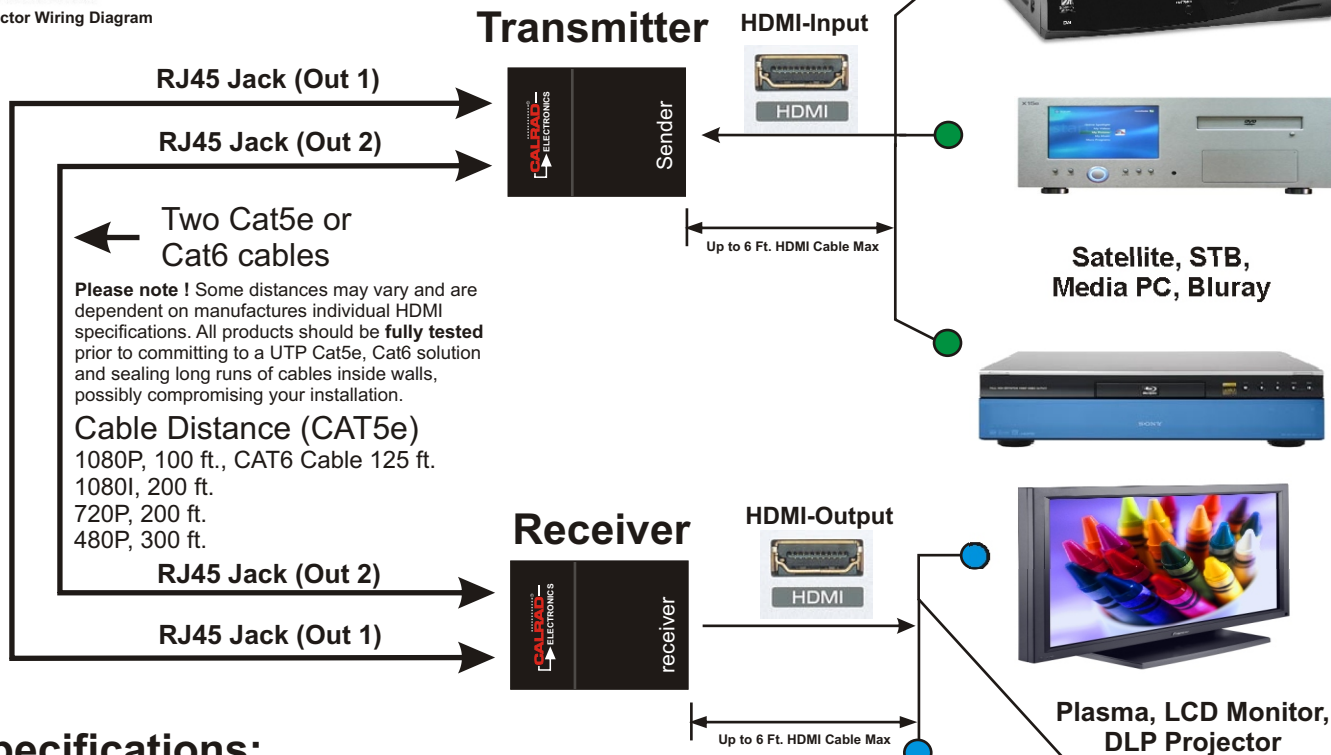
Wire Start to Finish 568B

Pins 1 2 3 4 5 6 7 8



RJ-45 Plug

Connector Wiring Diagram



Please note ! Some distances may vary and are dependent on manufactures individual HDMI specifications. All products should be **fully tested** prior to committing to a UTP Cat5e, Cat6 solution and sealing long runs of cables inside walls, possibly compromising your installation.

Cable Distance (CAT5e)
1080P, 100 ft., CAT6 Cable 125 ft.
1080I, 200 ft.
720P, 200 ft.
480P, 300 ft.

Specifications:

HDTV Resolutions: 480P, 720P, 1080I, 1080P (Max 10.2Gbps, HDMI 1.3), HDCP Compliant
Input TMDS Signal: 5Vpp, Input DDC 5Vpp
HDMI In/Out Connectors: 19 pin Female Jacks, 2 x RJ45 Shielded Jacks each unit.
DC Power Supply: 5V, 1A, Switchmode Regulated, 110-220Vac (Optional, only required when there is no power from the receiver side HDMI connector)
Housing: Plastic, Black Color
Weight: 170g ea.
Dimensions: Transmitter / Receiver: L-1.73" x W-1.69" x H-1.0"