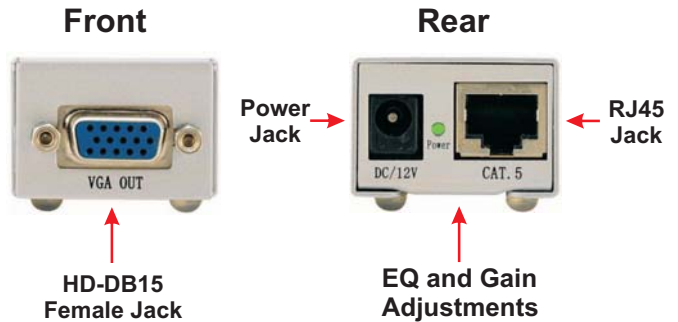


## 40-1010T, 40-1010R VGA over Cat5 up to 580 ft.



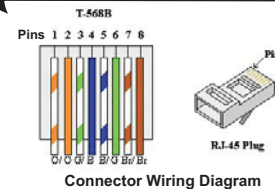
The 40-1010 converts VGA signals to balanced twisted pair. Up to 580 feet is possible over Cat5e cable, using one of each 40-1010T (Transmitter), 40-1010R (Receiver). Equalization length and VGA signal gain are adjustable on the bottom side of the 40-1010R (Receiver). Each unit requires a DC power supply, (included).



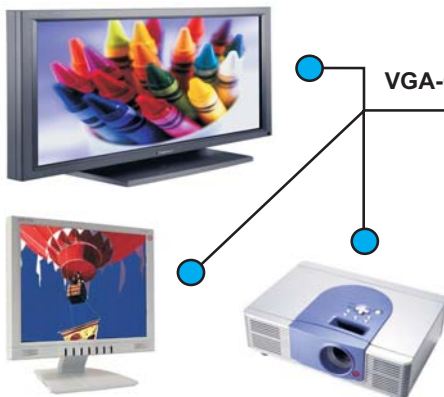
VGA-Input



Transmitter



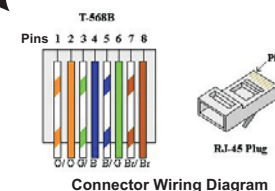
580 Ft. Cat5e →



VGA-Output



Receiver



### Specifications:

- Cable Distance: 580 ft. (max)
- VGA Out/In Connectors: HD-15 Female, 1 jack each unit
- RJ45 Connectors: 1 Jack, each unit
- VGA Resolution: 1280x1024 60Hz
- DC Power Supply: 2 x 12V, 600mA (Min.)
- Housing: Metal
- Weight: 140g
- Dimensions: Length: 3.67" \ 92mm, Width: 1.43" \ 34mm, Height: .977" \ 22mm